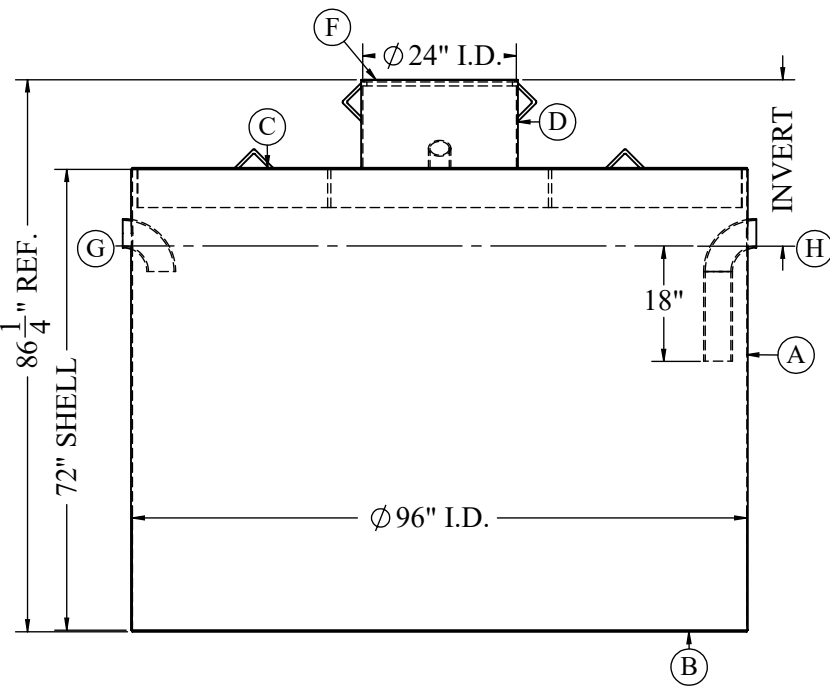
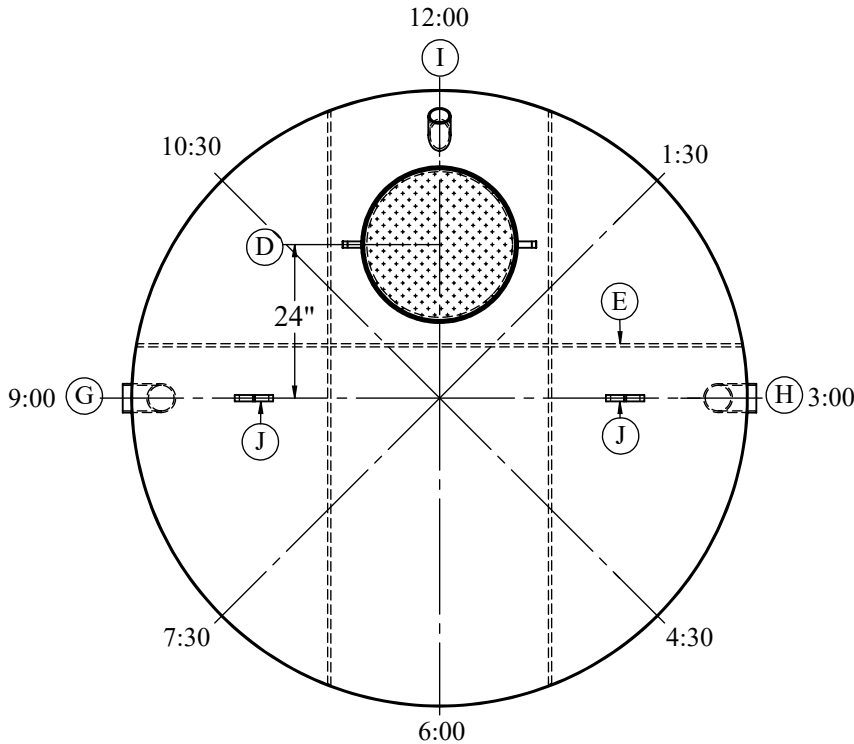


WT-250

# 250 CUBIC FOOT



| INVERT ELEVATION (STANDARD IS 26") <input type="checkbox"/> |          | CUSTOM ELEVATION <input type="text"/> |                        |
|---|----------|---------------------------------------|------------------------|
| ORIENTATION   | VENT     | INLET                                 | OUTLET                 |
| 12:00   |          |                                       |                        |
| 1:30  |          |                                       |                        |
| 3:00  |          |                                       |                        |
| 4:30  |          |                                       |                        |
| 6:00  |          |                                       |                        |
| 7:30  |          |                                       |                        |
| 9:00  |          |                                       |                        |
| 10:30   |          |                                       |                        |
| OPENING SIZES   | VENT     | INLET                                 | OUTLET                 |
| 3"  |          |                                       |                        |
| 4" (STD)  |          |                                       |                        |
| 6"  |          |                                       |                        |
| 8"  |          |                                       |                        |
| ANTIFLOTATION ANCHOR RING                                   |          |                                       |                        |
| COVER OPTIONS   | LOOSE    | BOLTED                                | BOLTED & COUNTER-BORED |
| STANDARD COVER<br>VEHICLE TRAFFIC                           |          |                                       |                        |
| HEAVY COVER<br>FORKLIFT TRAFFIC                             |          |                                       |                        |
| CAST IRON (NEENAH)<br>FRAME & COVER<br>H2O LOADING          |          |                                       |                        |
| TANK LINING   | INTERIOR | EXTERIOR                              |                        |
| PROTECTIVE<br>COATING (STD)                                 |          |                                       |                        |
| COAL TAR<br>EPOXY 8 MILS                                    |          |                                       |                        |
| COAL TAR<br>EPOXY 16 MILS                                   |          |                                       |                        |

NOTES:

1. SHOP TESTED WITH 1.5 PSI (TEST CERTIFICATE SUPPLIED UPON REQUEST).
2. THIS OIL AND FLAMMABLE LIQUID INTERCEPTOR MEETS THE MINNESOTA STATE PLUMBING CODE FOR A NON-RATED INTERCEPTOR PER SECTION 1017.1 & 1017.2.
3. LOCAL AUTHORITY HAS JURISDICTION.
4. WELDING PERFORMED BY A QUALIFIED WELDER. (A WELDER OPERATOR QUALIFICATION TEST RECORD PER QW484 PROVIDED UPON REQUEST).
5. APPROX. WT. 2600#.

|   |   |
|---|---|
| DRAWING TITLE:<br>WT-250<br>INFLAMMABLE<br>WASTE TRAP | CUSTOMER:<br>PROJECT:<br>DWG.No. WT-250 / PROJECT No. |
|---|---|