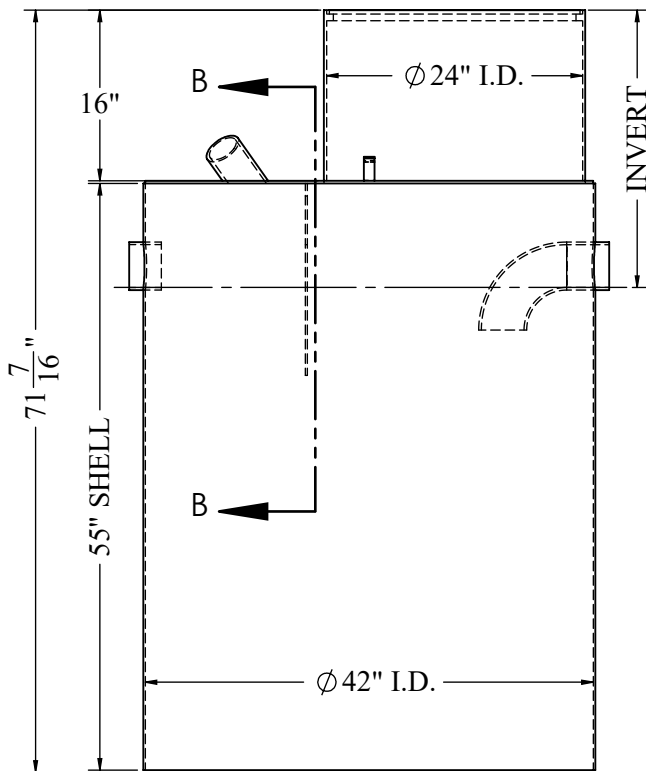
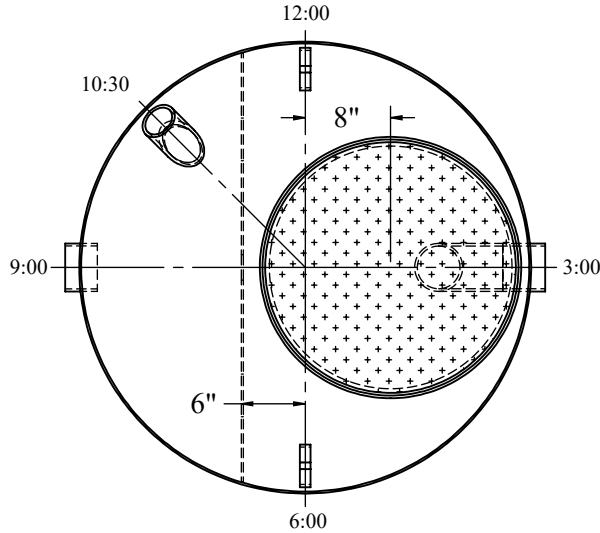
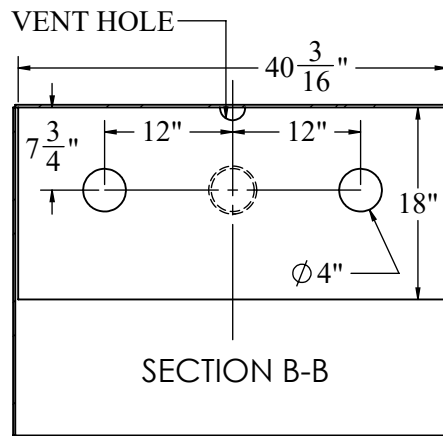


**ST-7800**  
**35 CUBIC FOOT**



INVERT ELEVATION (STANDARD IS 26") <input type="checkbox"/>		CUSTOM ELEVATION <input type="text"/>	
ORIENTATION	VENT	INLET	OUTLET
12:00			
1:30			
3:00			
4:30			
6:00			
7:30			
9:00			
10:30			
OPENING SIZES	VENT	INLET	OUTLET
3"			
4" (STD)			
6"			
8"			
ANTIFLOTATION ANCHOR RING			
COVER OPTIONS	LOOSE	BOLTED	BOLTED & COUNTER-BORED
STANDARD COVER VEHICLE TRAFFIC			
HEAVY COVER FORKLIFT TRAFFIC			
CAST IRON (NEENAH) FRAME & COVER H2O LOADING			
TANK LINING	INTERIOR		EXTERIOR
PROTECTIVE COATING (STD)			
COAL TAR EPOXY 8 MILS			
COAL TAR EPOXY 16 MILS			

NOTES:

- 35 CUBIC FOOT CAPACITY.
- SHOP TESTED WITH 3 PSI (TEST CERTIFICATE SUPPLIED UPON REQUEST).
- WELDING PERFORMED BY A QUALIFIED WELDER. (A WELDER OPERATOR QUALIFICATION TEST RECORD PER QW484 PROVIDED UPON REQUEST).
- APPROX. WT. 750#.

DRAWING TITLE: SAND TRAP w/ BAFFLE  
 CUSTOMER: PROJECT:  
 DWG.No. ST-7800 / PROJECT No.