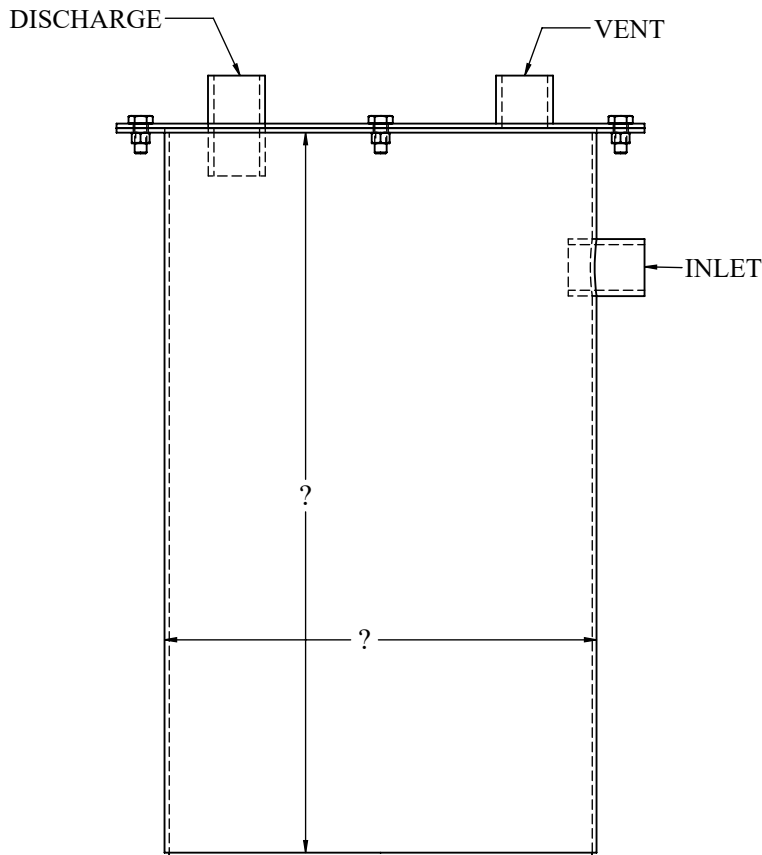
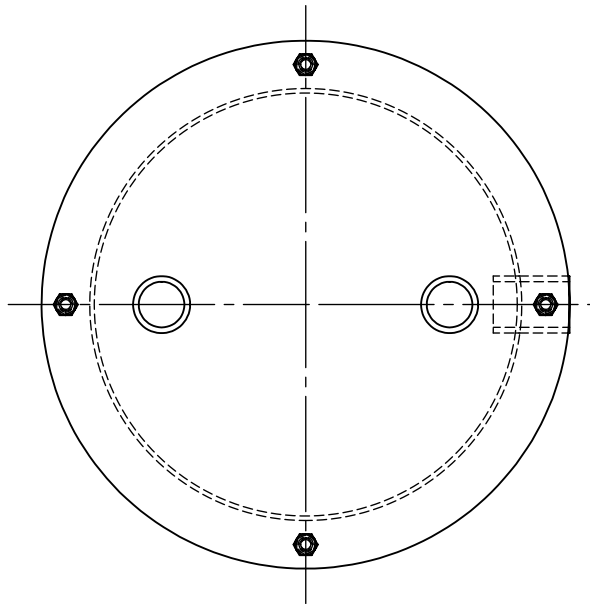


SSBC

STEEL SUMP BASIN



| | | | |
|-----------------------------------|-----------------|-----------------|------------------|
| | | | |
| MODEL # | | | |
| ORIENTATION | VENT | IN | DISCHARGE |
| 12:00 | | | |
| 1:30 | | | |
| 3:00 | | | |
| 4:30 | | | |
| 6:00 | | | |
| 7:30 | | | |
| 9:00 | | | |
| 10:30 | | | |
| OPENING SIZES | | | |
| 3" | | | |
| 4" | | | |
| 6" | | | |
| 8" | | | |
| ANTI-FLOTATION ANCHOR RING | | | |
| TANK LINING | INTERIOR | EXTERIOR | |
| PROTECTIVE COATING (STD) | | | |
| COAL TAR EPOXY 8 MILS | | | |
| COAL TAR EPOXY 16 MILS | | | |

DRAWING TITLE:
SSBC
STEEL SUMP
BASIN

CUSTOMER:
PROJECT:
DWG.No. SSBC / PROJECT No.